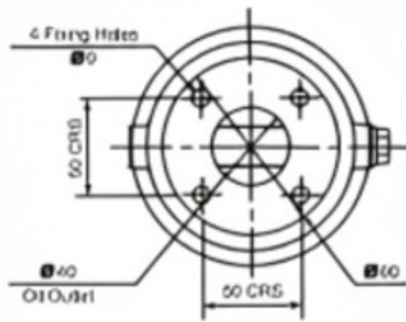
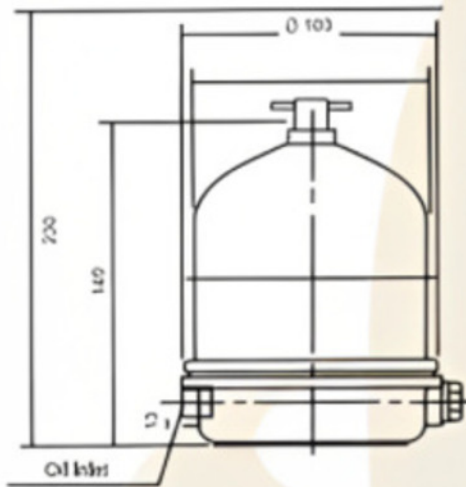


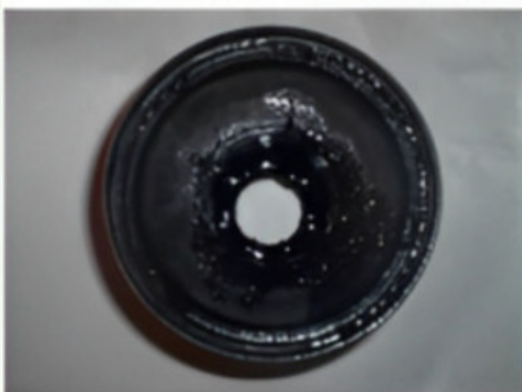
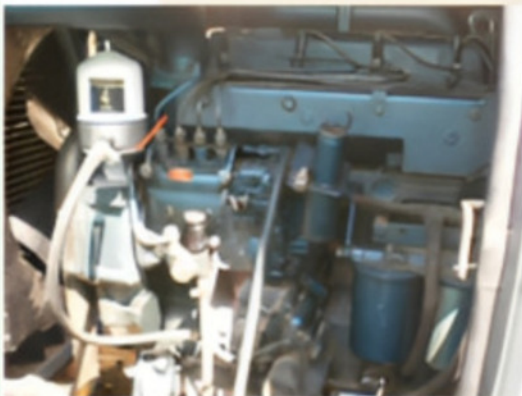
# Filtek FT020



All dimensions are in mm unless otherwise stated

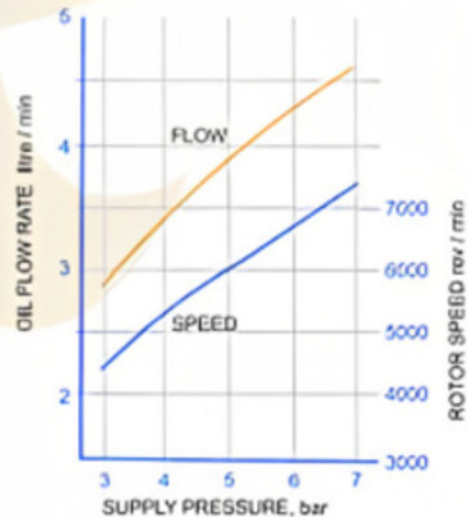


- Suitable for system capacity from 8 to 30 liters
- Rotor dirt capacity 0.16 liters
- Rotor oil capacity 0.20 liters
- Minimum oil feed pipe size 6mm internal diameter
- Minimum oil drain pipe size 20mm internal diameter
- Available with or without Cut Off Valve (C.O.V.)
- The net weight of the FT025 is 1.4kg.



## PERFORMANCE CURVES

Typical rotor performance for SAE 30 OIL @ 75°C



110 1011 - 2016

## Filtek India Pvt. Ltd.

S. No. 34/2/1, Oxford Road,  
NH 4 Bypass, Bardhan (Bk),  
Pune 411 021.  
Email : [enquiry@filtekindia.com](mailto:enquiry@filtekindia.com)  
URL : [www.filtekindia.com](http://www.filtekindia.com)